

DIN Rail Snap-In-Jack Module

Datasheet: GD065827v7



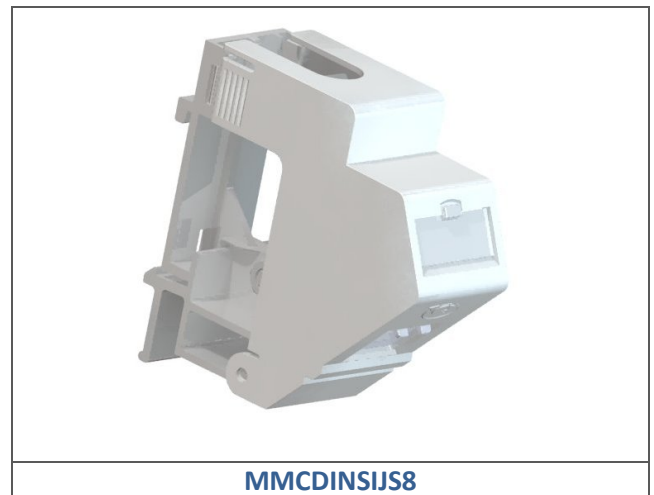
78.86.110.492

APPLICATION

The Leviton DIN Rail SIJ Module offers a connection point in the cabling subsystem and is suitable for deployment in residential, industrial and enterprise structured cabling systems. The module is designed to be easily snapped onto a DIN rail and it offers unrivalled usability and accessibility. Multiple modules can be aligned horizontally in a row and the angled direction of the jacks facilitates cord routing in a way that eases bending stresses while maximising performance.

FEATURES

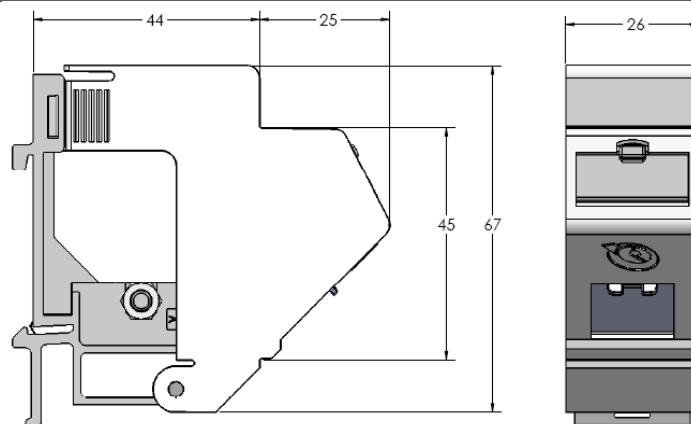
- Suitable for Leviton approved Snap-in-Jacks both screened and unscreened
- Attaches to Din Rail 35mm x 7.5mm EN60715
- IP Rate 20
- DIN rail earth / grounding clip
- Color light Gray RAL 7035
- Port protected with shutter door
- Label identification
- Detachable cover



ORDER INFO

Part Number	Item Description	Color	Weight per Item (nom)	Qty per Pack
MMCDINSIJS8	DIN Rail SIJ Module	Gray	30g	4

PHYSICAL CHARACTERISTICS



DIN Rail Snap-In-Jack Module

Datasheet: GD065827v7



MATERIALS

- PC 10% GF
- Stainless Steel Grounding Clip
- Packaging fully recyclable card

ENVIRONMENTAL CONDITIONS

- Operating temperature from -10°C to 60°C at 93% relative humidity, non-condensing
- Storage temperature from -40°C to 70°C

COMPATIBILITY MATRIX

Catalogue Number	Description
AC6JAKS000DC	10GPlus Cat 6A Shielded Tool-free Snap-In Jack
C6CJAKS000DC	Cat6Plus Cat 6 Shielded Tool-free Snap-In Jack
AC6JAKU002	10GPlus Cat 6A Unshielded Tool-free Snap-In Jack
C6CJAKU002	Cat6Plus Cat 6 Unshielded Tool-free Snap-In Jack
GPCJAKU002	GigaPlus Cat 5e Unshielded Tool-free Snap-In Jack

*“Leviton is **dedicated to designing, developing, and manufacturing** sustainable **high performance** structured cabling and specialty **cabling solutions.**”*

The information contained in this document is valid and correct at the time of issue. Leviton reserves the right to modify details without notice in light of subsequent standard/specification changes and ongoing technical developments.